



# IOT-800N-G350

## 8" Android Panel PC



### Features

- MediaTek Genio 350 Quad-Core SoC, 4x Cortex A53(2.0GHz)
- Built-in CAN BUS
- 13M front camera for in-vehicle surveillance
- Supports Multiple I/O including LAN, USB 2.0, and RS-232
- Supports Android 13

### System

CPU	MediaTek Genio 350 Quad-Core SoC (MT8365)
Architecture	4x Cortex A53(2.0GHz)
Memory	4GB LPDDR4X SDRAM
Storage	64GB EMMC5.1
GPU Core	Mali-G52
Operating System	Android 13
Front Camera	1x 13MP MIPI-CSI camera
Microphone	1 x built-in microphone
Speaker	1 x built-in speaker

### Wireless

WWAN	LTE, Mini PCIE interface (optional)
WLAN	IEEE 802.11 ac/a/b/g/n
Bluetooth	Bluetooth 5.0
NFC	1 x 13.56MHz RFID & NFC reader with ISO 14443A/14443B/15693 & mifare
GNSS	AGPS+ /GPS/Glonass/Beidou/Galileo

### I/O Interface

USB	2 x USB 2.0 Type-A port 1 x micro USB 2.0
DB9 interface	1 x RS-232/422/485 COM port 1 x RS-232 COM port
LAN	1 x RJ-45 Ethernet, 10/100Mbps
SIM Slot	1 x SIM Card slot (optional)
SDIO	1 x microSDHC/microSDXC/ microSD (Max. 256GB) card socket
DIO	3 x DI, 3x DO (dry contract)
CAN	CAN BUS
Power	Tact switch

### LCD Display

Size/Type	8" TFT LCD
Resolution	1024 x 600
Brightness (cd/m <sup>2</sup> )	450 cd/m <sup>2</sup>
Contrast Ratio	700:1(Typ.)
View Angle (A/B/R/L)	70°/70°/60°/70° typ.

### Touch Screen

Type	Multi-point Projected Capacitive multi-touch
------	--

### Power Input

Power Input	Built-in ignition detection
DC Input	3-pin terminal block 9V~36V auto-detection

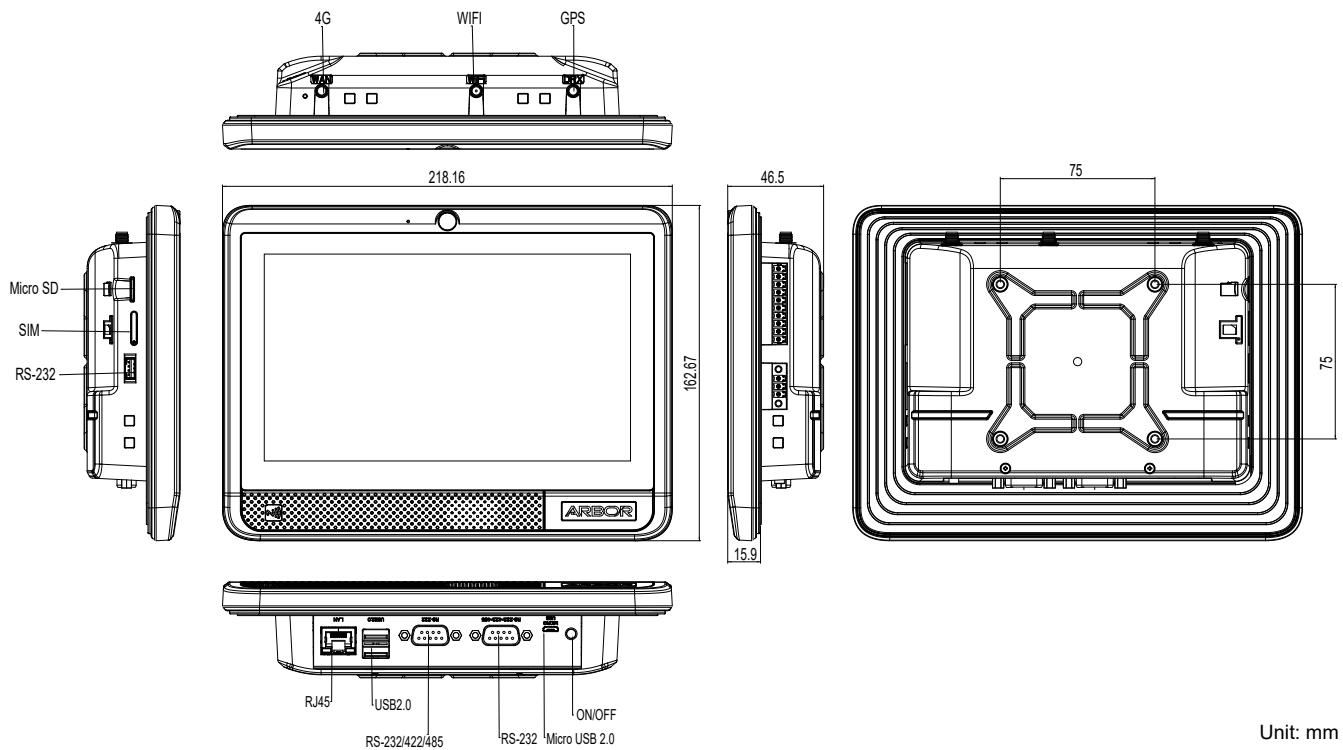
### Mechanical & Environmental

Operating Temp.	-20°C~70°C (-4°F~158°F)
Storage Temp.	-30°C~80°C (-22°F~176°F)
Protection Level	Front bezel design compliant with IP-54 & IK-05
Operating Humidity	10% ~ 95% (relative humidity ; noncondensing)
Dimensions	218.16 x 162.67 x 46.5mm (W x H x D)
Weight	940g (2.07lb)

### Installation

VESA Mount	75mm x 75mm
------------	-------------

## Dimensions



## Ordering Information

IOT-800N-G350

1 x 8" Android Panel PC, 13MP Front camera, WLAN, NFC, and Bluetooth; 1 x Accessory Kit; (1 x 3-pin DC Terminal Block, Plug with screws; 1 x WiFi Antenna; 1x GPS Antenna)

IOT-800N-G350 LTE

1 x 8" Android Panel PC, 13MP Front camera, WLAN, NFC, Bluetooth, and Global LTE Module; 1 x Accessory Kit; (1 x 3-pin DC Terminal Block, Plug with screws; 1 x WiFi Antenna; 1 x GPS Antenna; 1 x 4G Antenna)

Global LTE Module:  
 LTE-FDD: B1/B2/B3/B4/B5/B7/B8/B12/B13/B18/B19/B20/B25/B26/B28  
 LTE-TDD: B38/B39/B40/B41  
 WCDMA: B1/B2/B4/B5/B6/B8/B19  
 GSM/EDGE: Quad-band

## Optional Accessories

AC-DC Power Adapter (US) Input : 100V-240V, Output : 12V/1.5A; W/3-pin Terminal Block with screws, US Plug

AC-DC Power Adapter (EU) Input : 100V-240V, Output : 12V/1.5A; W/3-pin Terminal Block with screws, EU Plug