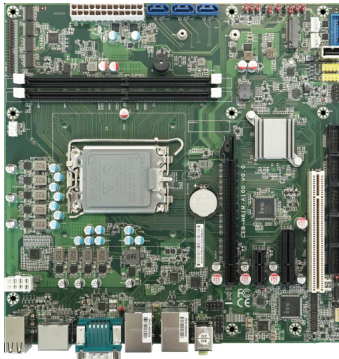




MB-i93QM-H610

Intel H610 Chipset, 2 x LAN, 2 x HDMI/DP++, 6 x COM, 13 x USB, Micro ATX MB



Features

- Supports Intel® LGA1700 12th/13th Gen. Core™ i3/i5/i7/i9, Pentium®, Celeron® Processors
- Support 2 x DDR4 DIMM memory Slot, up to 64GB
- Support 2 x HDMI, DP++, dual display
- Support Ennoconn USB SR Pro Technology
- Support dual Intel LAN, 13 x USB, 10 x COM (2 x RS232/422/485 with auto Flow, 8 x RS232)
- Support 1 x PCIe X16, 1 x PCIe X4, 1 x PCIe X1, 1 x PCI Slot
- Support USB Power off under S5

System

CPU	Intel® 12 th /13 th Generation Core™ i9/i7/i5/i3 and Pentium®, Celeron® processor, LGA1700 socket, TDP up to 65W
Chipset	Intel® H610
Memory	Dual Channel, 2 x U-DIMM Slot, DDR4 2666/2933/3200MHz, up to 64GB
BIOS	AMI UEFI BIOS
Watchdog Timer	System Reset, Programmable via software from 1 to 255 seconds

I/O

Internal I/O Ports	1 x RS232/422/485 with Auto Flow 8 x RS232 4 x USB2.0, 1 x USB2.0 (Type-A) 1 x 16 bit GPIO 1 x F_Panel (Power LED, HDD LED, Power button, reset button) 1 x F_Audio 1 x F_LAN LED 1 x PS/2 (for Keyboard and Mouse)
--------------------	--

Rear I/O Ports	2 x RJ45 2 x USB3.2 Gen1 2 x USB3.2 Gen2 4 x USB2.0 1 x RS232/422/485 with Auto Flow 1 x Line-out, 1 x Mic-in
----------------	--

TPM	TPM on board, optional
Digital IO	8-bit Digital input/ output

Expansion Bus	1 x PCIe X16 1 x PCIe X4 1 x PCIe X1 1 x PCI
---------------	---

Storage	3 x SATA3.0, 1 x M.2 2242/2280 (SATA)
---------	---------------------------------------

Ethernet Chipset	1 x Intel® 226V colay 226LM/IT (10/100/1000/2500 Mbps) 1 x I219V GbE (10/100/1000 Mbps)
------------------	--

Audio Interface	Realtek® ALC888S(colay with ALC897) HD Audio codec, supports 5.1-channel, Mic-in/ Line-In/Out
-----------------	---

OS

OS	12 th /13 th Gen CPU : Windows10, Linux
----	---

Display

Graphic Chipset	Inte® HD Graphics
Graphic Interface	2 x HDMI: max resolution up to 4096 x 2304@24Hz 1 x DP++: max resolution up to 4096 x 2304@60Hz

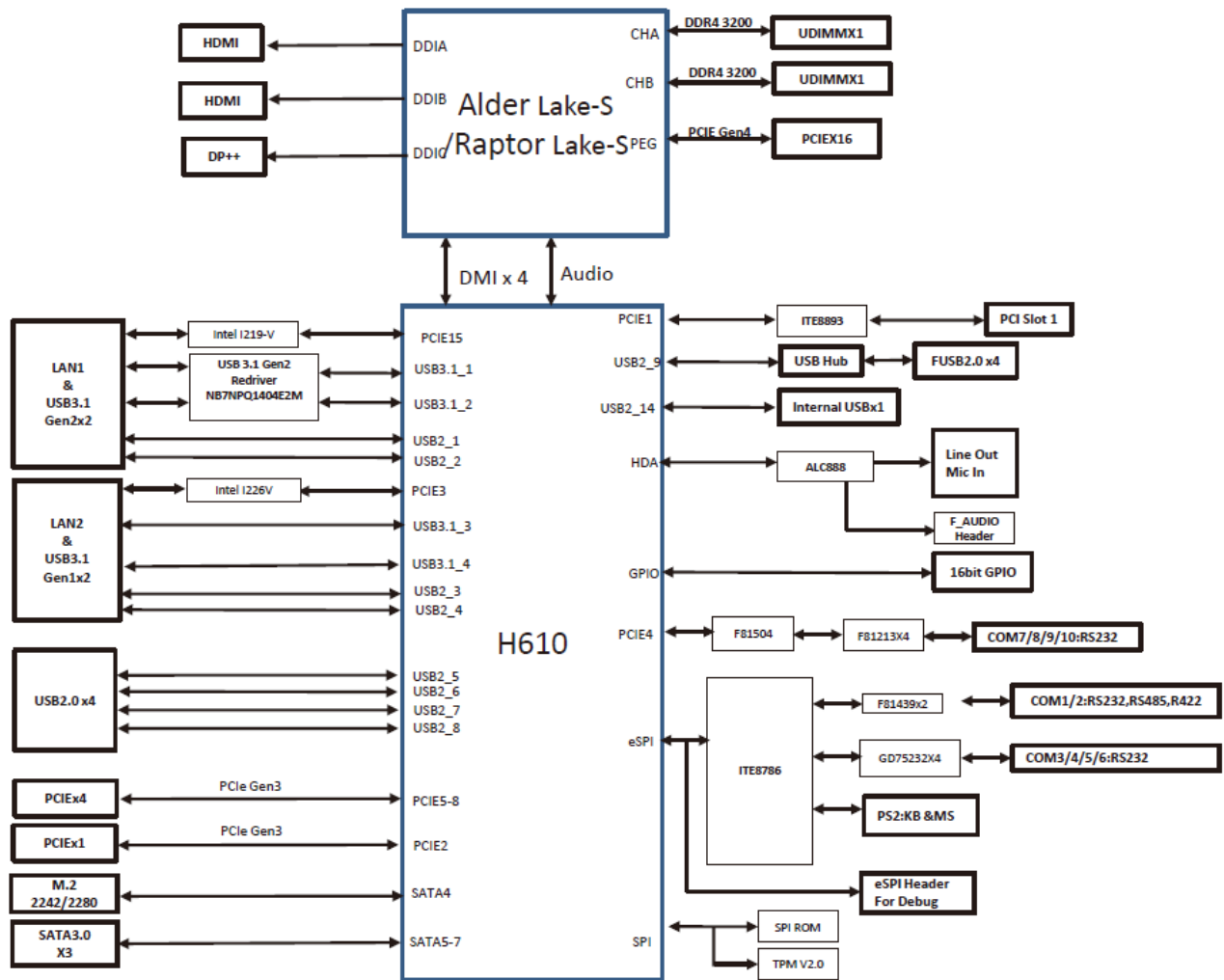
Mechanical & Environmental

Power Requirement	24-pin + 8-pin ATX power connector, AT/ ATX mode supported
Operating Temp.	0 ~ 60°C (32 ~ 140°F)
Storage Temp.	-40 ~ 85°C (-40 ~ 185°F)
Operating Humidity	5 ~ 95% (non-condensing)
Storage Humidity	5 ~ 95% (non-condensing)
Dimension (L x W)	244 x 244 mm (9.6" x 9.6")

Standard Accessory

35091QW00-0R3-G	SATA Signal Cable Assembly,400mm+/-20mm
2T71CGT00-G9F-G	IO shielding, H61M,N/A,155*45*5,G,00, A.1

Block diagram



Optional Accessory

35108U500-3LG-G	COM2,COM Cable without Bracket,700mm,+/-20mm
35108U400-3LG-G	COM3~4/COM5~6,COM Cable without Bracket,700mm,+/-20mm
35108YU00-0R3-G	COM7~10,COM Cable with bracket,700mm,+/-20mm
460209G00-3L5-G	CPU Cooler, support 65W, LGA1700 series
351061S00-JTU-G	GPIO cable with bracket, 350mm
35106BR00-38L-G	1 to 2 USB Cable with bracket,300mm+/-15mm
35106KW00-38L-G	2 to 4 USB Cable with bracket,250mm+/-15m