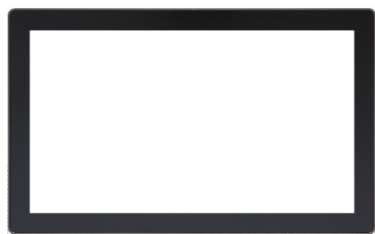


SM-151C

Industrial monitor, 15.6" True-Flat Industrial Grade 10 Points Projected Capacitive Touch



Features

- 15.6 inches FHD LCD Panel with LED backlight, front panel support IP66
- Aluminum alloy structure makes it lighter, more stable, and better heat dissipation
- Industrial grade 10-point P-cap multi-touch
- 12V DC-IN, lockable phoenix connector
- Support standard VESA(75x75mm), Panel-mount and Wall-Mount



HDMI



-10~60°C

LCD Display

Size/Type	15.6 inches FHD LCD Panel with LED backlight
Max. Resolution	1920(H) x 1080(V)
Ratio	16:9
Luminance	350 cd/m ²
Contrast Ratio	800:1
Backlight	LED Backlight
Backlight Lifetime	50000Hrs
Touch Screen	P-cap Multi-Touch
Touch	35,000,000 times
View Angle	CR ≥ 10; θ_x 89(H)/ θ_y 89° (V)

Power System

Power Input	12V DC-IN by 2-pin Phoenix connector
-------------	--------------------------------------

Qualification

Certification	CE, FCC
---------------	---------

External I/O

USB Ports	1 x USB for Touch
Video Input Ports	1 x HDMI
	1 x VGA
	1 x DVI

Mechanical

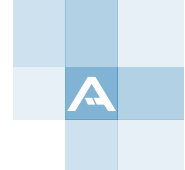
Mounting Type	Panel Mount, Wall and VESA-mount (75 x 75 mm)
Chassis	Aluminum for front panel and heat-sink, SECC for rear cover
Dimension (W x H x D)	395 x 245.5 x 66 mm
Cut out	387 x 237.5 mm
Weight (Net)	3.05 Kg
Ingress Protection	Front panel IP66

OSD Menu

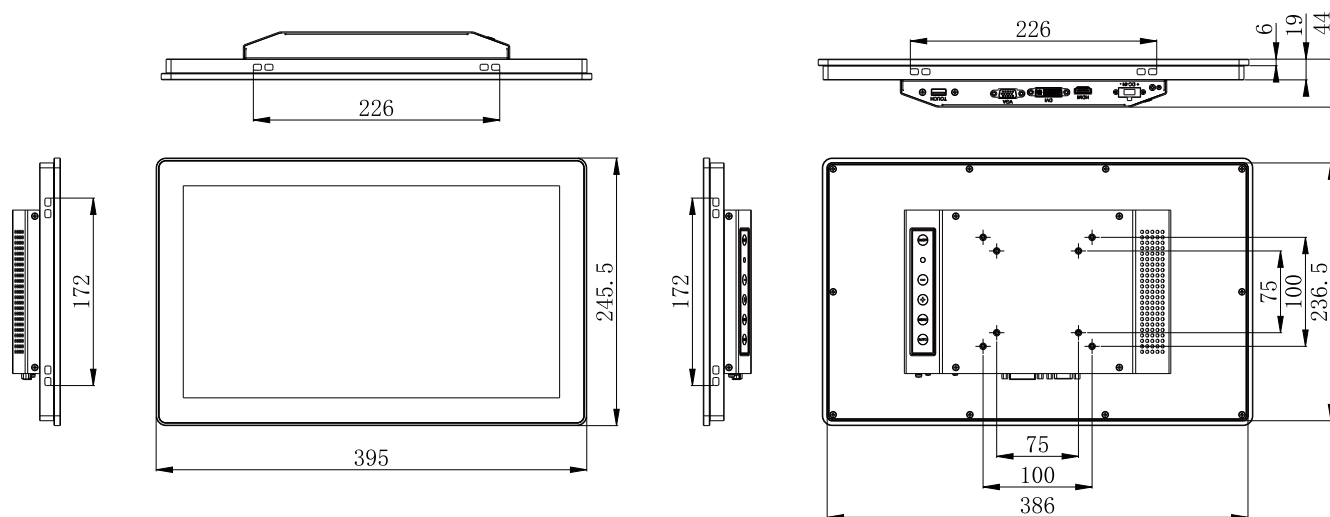
ON / OFF	Power On/Off
MENU	Menu / Confirm
Auto	Signal input switch / Quit
+	Up / Increase
-	Down / Decrease

Environmental

Operating Temp.	-10 ~ 60°C
Storage Temp.	-40 ~ 70°C
Operating Humidity	5 ~ 95% (non-condensing)
Random Vibration	5 ~ 500Hz, 2Grms operation
Sine Vibration	5 ~ 500Hz, 2G Non-operation
Shock	10g 11ms operation, 30g 11ms Non-operation



Dimensions



Unit: mm

Ordering Information

SM-151C 15.6" Industrial Monitor with P-Cap multi-touch



Standard Accessory

Panel Hook (4pcs in 1 Package)

2-pin DC-in Phoenix connector

1 x VGA Cable

1 x USB Cable