

SP-150R-1J64

Industrial Fanless 15" Panel PC , w/ Intel® Elkhart Lake Celeron J6412 Processor



Features

- Intel® Celeron® J6412 CPU Elkhart Lake(2.0 GHz/2.6GHz)
- 15 inches LCD panel with LED backlight, front panel support IP66
- Industrial-grade true-flat 5-wire resistive touch screen
- Support Mini-PCIe/M.2 extension of multiple modules
- Support dual 2.5GbE LAN
- Support remote ON-OFF
- Grounding protection for product shell
- Support standard VESA and panel mount



HDMI



Over-voltage
Protection



USB 3.1



-10~60°C



Wide Voltage
Range



Reversed
Power Insertion
Protection

System

| | |
|----------------|---|
| CPU | Intel® Celeron® J6412 CPU Elkhart Lake (2.0 GHz/2.6GHz) |
| Memory | 1 x DDR4 2133/2400/3200hz SO-DIMM slot, up to 32GB 4GB DDR4 SO-DIMM pre-installed*(CTOS) |
| Graphics | Intel® UHD Graphics for 10 th Gen Intel® Processors |
| LAN chipset | 2 x Intel® I226-V 2.5GbE controllers |
| Watchdog Timer | Programmable 255 levels timer interval, from 1~255 sec/min |

Storage

| | |
|--------|---|
| Device | 1 x M.2 2242 SSD slot 128GB M.2 SSD pre-installed*(CTOS) |
|--------|---|

Audio

| | |
|---------|--|
| Type | 1 x Audio(Line-out&Mic-in 2 in 1) |
| Speaker | Realtek® ALC888S HD Audio codec 4Ω3W speakerx2 |

LCD Display

| | |
|----------------------|--|
| Size/Type | 15" TFT LCD Panel |
| Max. Resolution | 1024 x 768 |
| Ratio | 4:3 |
| Luminance | 300 cd/m ² |
| Contrast Ratio | 800:1 |
| Backlight | LED Backlight |
| Backlight Lifetime | 30000 Hrs |
| Touch Screen | Industrial-grade true-flat 5-wire resistive touch screen |
| Touch | 35,000,000 times |
| View Angle (U/D/R/L) | 80°/80°/80°/80° |

Power System

| | |
|-------------|---|
| Power Input | DC 12~36V 1 x Power Connector (2P Phoenix) |
|-------------|---|

OS

| | |
|-------------------|--|
| Windows 10, Linux | |
|-------------------|--|

Qualification

| | |
|---------------|---------|
| Certification | CE, FCC |
|---------------|---------|

External I/O

| | |
|---------------|--|
| Serial Ports | 1 x RS232/RS422/RS485-COM1 1 x RS232(default/RS485(Jumper)-COM2 1 x RS232-COM3 |
| USB Ports | 2 x USB2.0, 2 x USB3.1 |
| LAN | 2 x RJ45 |
| Video Ports | 1 x HDMI (up to 4096x2160@60hz) |
| Remote On-Off | 1 x Remote ON-OFF |

Internal I/O

| | |
|-----------|---|
| Expansion | 1 x Mini-PCIe slot (PCIe/ USB2.0 signal supported) 1 x M.2 2230 slot (PCIe/ USB2.0 signal supported) 1 x M.2 2242 slot(SATA signal supported) 1 x SIM socket for 3G/4G 1 x 8bit GPIO 3.3V(jumper)/5V(default) power 1 x RS232-COM4 2 x RS232(RX/TX)-COM5/6 2 x USB2.0--For Touch 1 x SATA3.0/Power 5V for HDD |
|-----------|---|

Mechanical

| | |
|-----------------------|---|
| Mounting Type | Panel Mount, Wall and VESA-mount (75 x 75mm) |
| Chassis | Aluminum for front Panel and heat-sink, SECC for Rear Cover |
| Dimension (W x H x D) | 351.6(W) x 275.6(H) x 68.4(D)mm |
| Cut out | 341.4 x 265.4mm |
| Weight (Net) | 4.5 kg |
| Ingress Protection | Front panel IP66 |

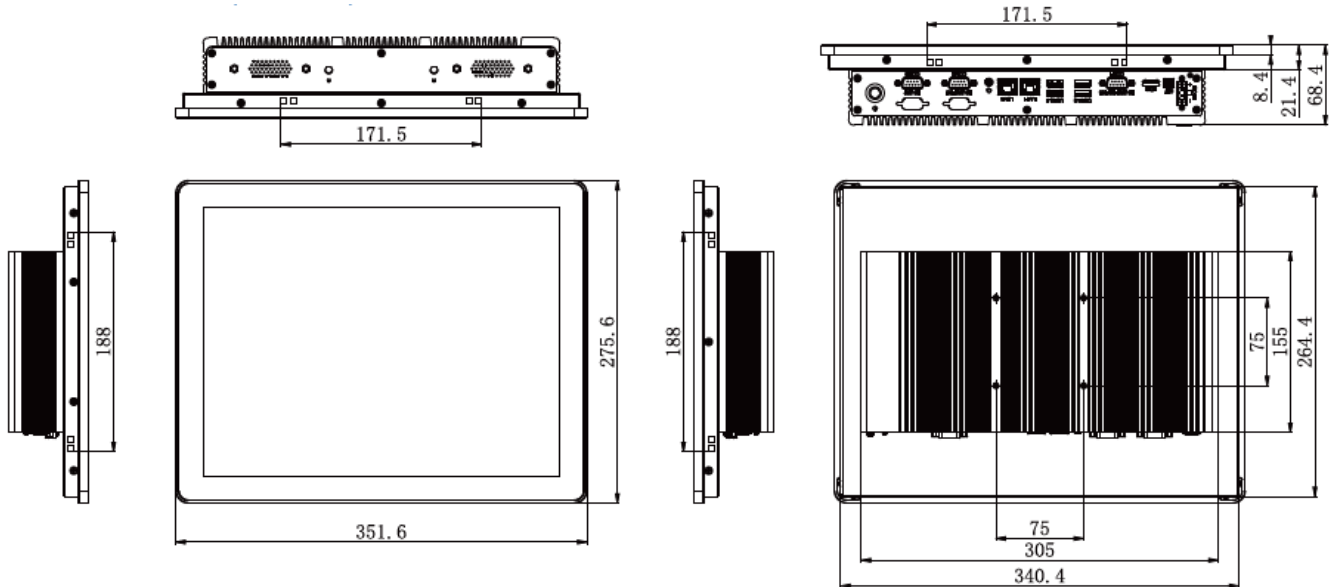
Environmental

| | |
|--------------------|--|
| Operating Temp. | -10 ~ 60°C |
| Storage Temp. | -40 ~ 70°C |
| Operating Humidity | 5 ~ 95% (non-condensing) |
| Random Vibration | 5~500Hz, 2Grms operation |
| Sine Vibration | 5~500Hz, 2G Non-operation |
| Shock | 10g 11ms operation, 30g 11ms Non-operation |

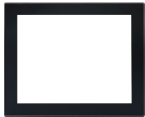
*CTOS means Configure-to-Order Service.

SP-150R-1J64

Dimensions



Ordering Information

| | | |
|----------------------|---|---|
| SP-150R-1J64 | Barebone 15" (4:3) Panel PC with Intel Celeron Elkhart Lake J6412, R-touch, HDMI*1, USB*4, LAN*2, COM*3, DC12-36V power input |  |
| SP-150R-1J64-R4S128 | 15" (4:3) Panel PC with 4GB RAM & 128GB SSD, Intel Celeron Elkhart Lake J6412, R-touch, HDMI*1, USB*4, LAN*2, COM*3, DC12-36V power input | |
| PAC-60W-FSP-SPA R1.0 | AC/DC ADAPTER KIT (W/UKCA),12V,60W,2 WIRE w/ USA POWER CORD | |
| PAC-60W-FSP-SPA R1.1 | AC/DC ADAPTER KIT (W/UKCA),12V,60W,2 WIRE w/ EU POWER CORD | |
| PAC-60W-FSP-SPA R1.2 | AC/DC ADAPTER KIT (W/UKCA),12V,60W,2 WIRE w/ UK POWER CORD | |
| PAC-60W-FSP-SPA R1.3 | AC/DC ADAPTER KIT (W/UKCA),12V,60W,2 WIRE w/ IN POWER CORD | |