



SP-151C TGLU Series

Industrial Fanless 15.6" Panel PC, w/ Intel® 11th Gen. Tiger Lake-U i3/i5 Processors



Features

- Onboard Intel® 11th Gen. Core™ Tiger lake U i5/i3 Processors
- 15.6 inches highlight FHD LED panel, front panel support IP66
- Industrial-grade 10 points project capacitive touch screen
- Support Mini-PCIe/M.2 extension of multiple modules
- Support Three GbE LAN
- Support remote ON-OFF
- Grounding protection for product shell
- Support 1 x 2.5 inches HDD/SSD expansion
- Support standard VESA and panel mount



HDMI



Over-Voltage Protection



USB 3.1



-10~50°C



Wide Voltage Range



Reserved Power Protection

System

CPU	Onboard Intel® 11 th Gen Core™ i3-1115G4 3.0G (2 Cores, 6M Cache, up to 4.1GHz) / i5-1135G7 2.4G (4 Cores, 8M Cache, up to 4.2GHz)
Memory	1 x DDR4 3200 MHz SO-DIMM, up to 32 GB
Graphics	Intel® UHD Graphics for 11 th Gen, Intel® Processors & Intel® Iris® Xe Graphics
LAN Chipset	1 x Intel® I226-V 2.5GbE controller 2 x Intel® I210-AT GbE controllers
Watchdog Timer	Programmable 255 levels timer interval, from 1~255 sec/min

Storage

Device	1 x M.2 2242 SSD slot
--------	-----------------------

Audio

Type	1 x Audio(Line-out & Mic-in 2 in 1), ALC888S
Speaker	2 x 4Ω3W speakers

LCD Display

Size/Type	15.6" TFT LCD Panel
Max. Resolution	1920(H) x 1080(V)
Ratio	16:9
Luminance	450 nits
Contrast Ratio	800:1
Backlight	LED Backlight
Backlight Lifetime	50000 Hrs
Touch Type	P-cap Multi-Touch
Touch	35,000,000 times
View Angle	CR ≥ 10, 89° (T)/89° (B)/89° (L)/89° (R)

Power System

Power Input	DC 10~36V 1 x Power Connector (2P Phoenix)
-------------	---

OS

Windows 10, Linux

Qualification

Certification	CE, FCC
---------------	---------

External I/O

Serial Ports	2 x RS232/422/485 (COM1/2) with DB9 2 x RS232/RS485, 2 x RS232 with 12PIN Phoenix connector
USB Ports	4 x USB 3.1
LAN	3 x RJ45
Video Ports	1 x HDMI (up to 4096 x 2304@60Hz)
Remote On-Off	1 x Remote ON-OFF

Internal I/O

Expansion	1 x Mini-PCIe (PCIe/USB2.0 signal supported) 1 x M.2 Key-E 2230 slot (WiFi +BT supported) 1 x SIM socket 1 x 8Bit GPIO
-----------	---

Mechanical

Front Panel	Aluminum
Heat-Sink	Aluminum
Rear Cover	SECC
Reset button	1 x OS reset
Power button	1 x Power button W/LED
Mounting Type	Panel Mount, Wall and VESA-mount (100 x 100mm)
Dimension (W x H x D)	395(W) x 245.5(H) x 59(D)mm
Cut out	387 x 237.5mm
Weight (Net)	4.54 Kg
Ingress Protection	Front panel IP66

Environmental

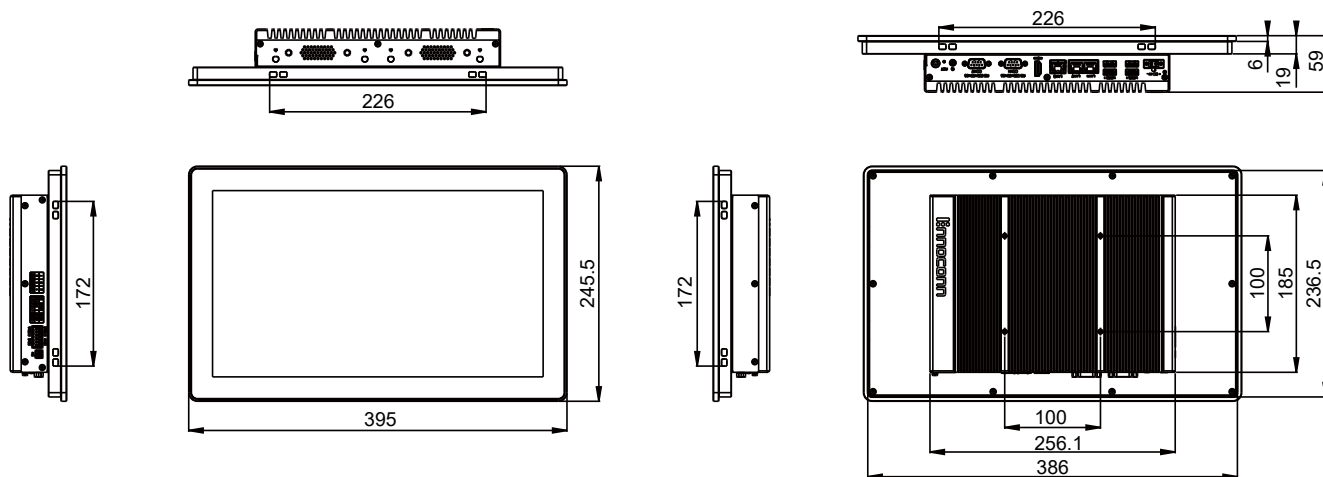
Operating Temp.	-10 ~ 50°C
Storage Temp.	-40 ~ 70°C
Operating Humidity	5 ~ 95% (non-condensing)
Random Vibration	5~500Hz, 2Grms operation
Sine Vibration	5~500Hz, 2G Non-operation
Shock	10g 11ms operation, 30g 11ms Non-operation

*CTOS means Configure-to-Order Service.


All specifications are subject to change without notice.

SP-151C TGLU Series

Dimensions



Ordering Information

SP-151C-11115G4	15.6"(16:9) Panel PC, Intel® 11 th Gen Core™ i3-1115G4 3.0G processor, HDMI*1, USB*4, LAN*3, COM*4, DC10~36V power input	
SP-151C-11135G7	15.6"(16:9) Panel PC, Intel® 11 th Gen Core™ i5-1135G7 2.4G processor, HDMI*1, USB*4, LAN*3, COM*4, DC10~36V power input	