



# SP-151R TGLU Series

Industrial Fanless 15.6" Panel PC for Indoor/Outdoor Application, w/ Intel® 11<sup>th</sup> Gen. Tiger Lake i3/i5 Processor



## Features

- Onboard 11<sup>th</sup> Generation Intel® Core™ Tiger lake i3/i5 Processors
- Optional 15.6 inches 350/1000nits FHD panel, front panel support IP66
- Optional Industrial grade 5-Wire Resistive Touch, Wide temperature range AG Coating
- Support Mini-PCIe/M.2 extension of multiple modules
- Support 3 x GbE LAN
- Support remote ON-OFF
- Grounding protection for product shell
- Support 1 x 2.5 inches HDD/SSD expansion
- Support standard VESA and panel mount



HDMI



Over-Voltage Protection



USB 3.1



-10~50°C



Wide Voltage Range



Reversed Power Insertion Protection

## System

CPU	i3-1115G4 3.0G (2 Cores, 6M Cache, up to 4.1GHz) i5-1135G7 2.4G (4 Cores, 8M Cache, up to 4.2GHz)
Memory	1 x DDR4 3200 MHz SO-DIMM slot, up to 32 GB
Graphics	Intel® UHD Graphics for 11 <sup>th</sup> Gen, Intel® Processors & Intel® Iris® Xe Graphics
LAN Chipset	1 x Intel® I226-V 2.5GbE controller 2 x Intel® I210-AT GbE controllers
Watchdog Timer	Programmable 255 levels timer interval, from 1~255 sec/min

## Storage

Device	1 x 2.5" SATA3.0 HDD/SSD 1 x M.2 2242 SSD slot (SATA3.0)
--------	---

## Audio

Type	1 x Audio(Line-out & Mic-in 2 in 1), ALC888S
------	--

## LCD Display

Size/Type	15.6" LCD Panel
Max. Resolution	1920 x 1080
Ratio	16:9
Luminance	Indoor: 350nits Outdoor: 1000 nits
Contrast Ratio	1000
Backlight	LED Backlight
Backlight Lifetime	50000 Hrs
Touch Type	True-flat 5-wire resistive touch screen/Touch -30~70°C AG coating (Outdoor only)
Touch	35,000,000 times
View Angle	CR ≥ 10, 85° (T)/85° (B)/85° (L)/85° (R)

## Power System

Power Input	DC 10~36V 1 x Power Connector (2P Phoenix)
-------------	---

## OS

Windows 10, Linux	
-------------------	--

## Qualification

Certification	CE, FCC
---------------	---------

## External I/O

Serial Ports	2 x RS232/422/485 (COM1/2) with DB9 2 x RS232/RS485, 2 x RS232 with 12PIN Phoenix connector
USB Ports	4 x USB 3.1,
LAN	3 x RJ45
Video Ports	1 x HDMI (up to 4096 x 2304@60Hz)
Remote On-Off	1 x Remote ON-OFF

## Internal I/O

Expansion	1 x Mini-PCIe (PCIe/USB2.0 signal supported) 1 x M.2 Key-E 2230 slot (WiFi +BT supported) 1 x SIM socket
-----------	--

## Mechanical

Front Panel	Aluminum
Heat-Sink	Aluminum
Rear Cover	SECC
Reset button	1 x OS reset
Power button	1 x Power button W/LED
Mounting Type	Panel Mount, Wall and VESA-mount (100 x 100mm)
Dimension (W x H x D)	395(W) x 245.5(H) x 59(D)mm
Cut out	387 x 237.5mm
Weight (Net)	4.55Kg
Ingress Protection	Front panel IP66

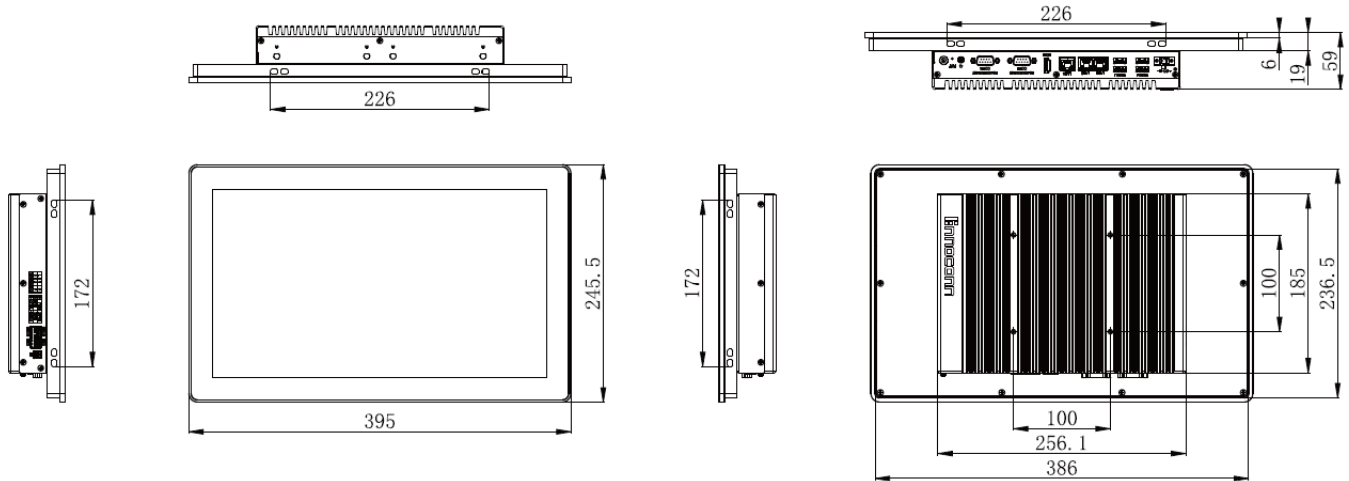
## Environmental

Operating Temp.	-10 ~ 50°C (14 ~ 122°F)
Storage Temp.	-40 ~ 70°C (-40 ~ 158°F)
Operating Humidity	5 ~ 95% (non-condensing)
Random Vibration	5~500Hz, 2Grms operation
Sine Vibration	5~500Hz, 2G Non-operation
Shock	10g 11ms operation, 30g 11ms Non-operation

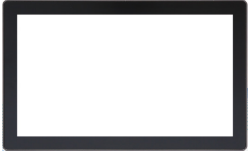

All specifications are subject to change without notice.

# SP-151R TGLU Series

## Dimensions



## Ordering Information

SP-151R-11115G4 (Indoor Application)	15.6"(16:9) Panel PC, Intel® 11 <sup>th</sup> Gen Core™ i3-1115G4 3.0G processor, HDMI*1, USB*4, LAN*3, COM*4, DC10~36V power input	
SP-151R-11135G7 (Indoor Application)	15.6"(16:9) Panel PC, Intel® 11 <sup>th</sup> Gen Core™ i5-1135G7 2.4G processor, HDMI*1, USB*4, LAN*3, COM*4, DC10~36V power input	
SP-151R-21115G4 (Outdoor Application)	15.6"(16:9) Panel PC, Intel® 11 <sup>th</sup> Gen Core™ i3-1115G4 3.0G processor, HDMI*1, USB*4, LAN*3, COM*4, DC10~36V power input	
SP-151R-21135G7 (Outdoor Application)	15.6"(16:9) Panel PC, Intel® 11 <sup>th</sup> Gen Core™ i5-1135G7 2.4G processor, HDMI*1, USB*4, LAN*3, COM*4, DC10~36V power input	

## Optional Accessories

PAC-120W-FSP-SPA R1.0	AC/DC ADAPTER KIT (W/UKCA),19V,120W,2 WIRE w/ USA POWER CORD
PAC-120W-FSP-SPA R1.1	AC/DC ADAPTER KIT (W/UKCA),19V,120W,2 WIRE w/ EU POWER CORD
PAC-120W-FSP-SPA R1.2	AC/DC ADAPTER KIT (W/UKCA),19V,120W,2 WIRE w/ UK POWER CORD
PAC-120W-FSP-SPA R1.3	AC/DC ADAPTER KIT (W/UKCA),19V,120W,2 WIRE w/ IN POWER CORD